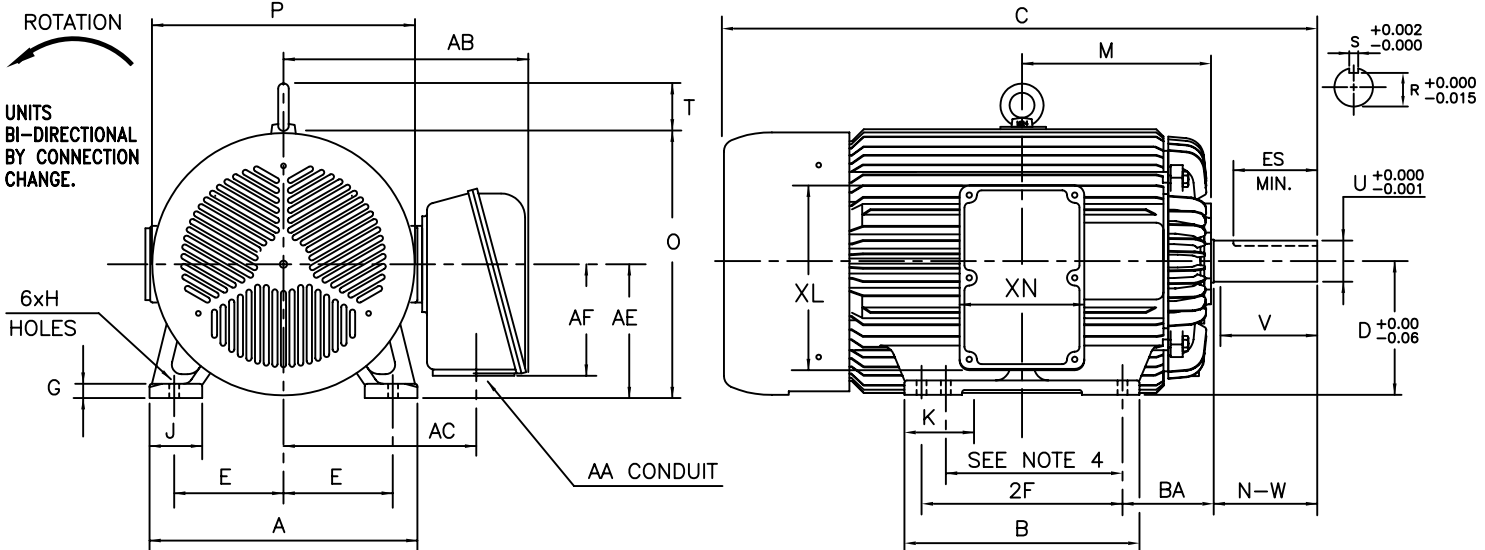


INDEX	OL-44161
REV. LEVEL	0
SHEET	1 OF 1

**TOSHIBA/HOUSTON** TOTALLY-ENCLOSED FAN-COOLED HORIZONTAL FOOT-MOUNTED QUARRY-DUTY (C.I. T-BOX) BELT DRIVE Fr. 444T-445T



UNITS: INCHES

FRAME SIZE	MOUNTING				CONDUIT BOX							
	E	2F	H	BA	AA	AB	AC	AE	AF	XL	XN	
444T	9.00	14.50	0.81	7.50	3.00	20.1	15.8	11.0	9.2	15.2	10.2	
445T	9.00	16.50	0.81	7.50	3.00	20.1	15.8	11.0	9.2	15.2	10.2	

FRAME SIZE	MOTOR DIMENSIONS											
	A	B	C	D	G	J	K	M	O	P	T	
444T/445T	22.0	19.3	48.7	11.00	1.2	4.3	4.7	15.5	22.0	21.6	3.9	

FRAME SIZE	SHAFT EXTENSION			KEY SEAT			BEARINGS		MAXIMUM WEIGHT
	N-W	V	U	R	S	ES	LS	OS	
444T/445T	8.50	8.25	3.375	2.88	0.875	6.91	NU318C3	6318C3	2010 lbs.

- NOTES:
1. DIMENSION V REPRESENTS LENGTH OF STRAIGHT PART OF SHAFT.
  2. CONDUIT BOX MAY BE ROTATED IN 90° INCREMENTS AND MAY BE MOUNTED ON OPPOSITE SIDE ON SPECIAL ORDER.
  3. KEY DIMENSIONS EQUAL S x S x 6.88 (MOTOR SUPPLIED WITH KEY)
  4. DIMENSIONS FOR 444T MOUNTING EQUAL (2F) LOCATED IN 444T SIDE VIEW.
  5. MOTOR WEIGHT SHOWN IS MAXIMUM HORSEPOWER IN FRAME.

ALL DATA SUBJECT TO CHANGE WITHOUT NOTICE. FOR CONSTRUCTION USE ONLY CERTIFIED DATA.

CERTIFIED DATA

CUSTOMER: \_\_\_\_\_ P.O. NO.: \_\_\_\_\_ TAG NO.: \_\_\_\_\_  
MOTOR MODEL NO.: \_\_\_\_\_ TOSHIBA FILE NO.: \_\_\_\_\_  
HP: \_\_\_\_\_ RPM (SYN.): \_\_\_\_\_ VOLTAGE: \_\_\_\_\_ Hz: \_\_\_\_\_  
FRAME SIZE: \_\_\_\_\_ LOG NO.: \_\_\_\_\_ LOG REV. LEVEL: \_\_\_\_\_  
REMARKS: \_\_\_\_\_  
PER: \_\_\_\_\_ ISSUE DATE: \_\_\_\_\_ SUPERSEDES: \_\_\_\_\_