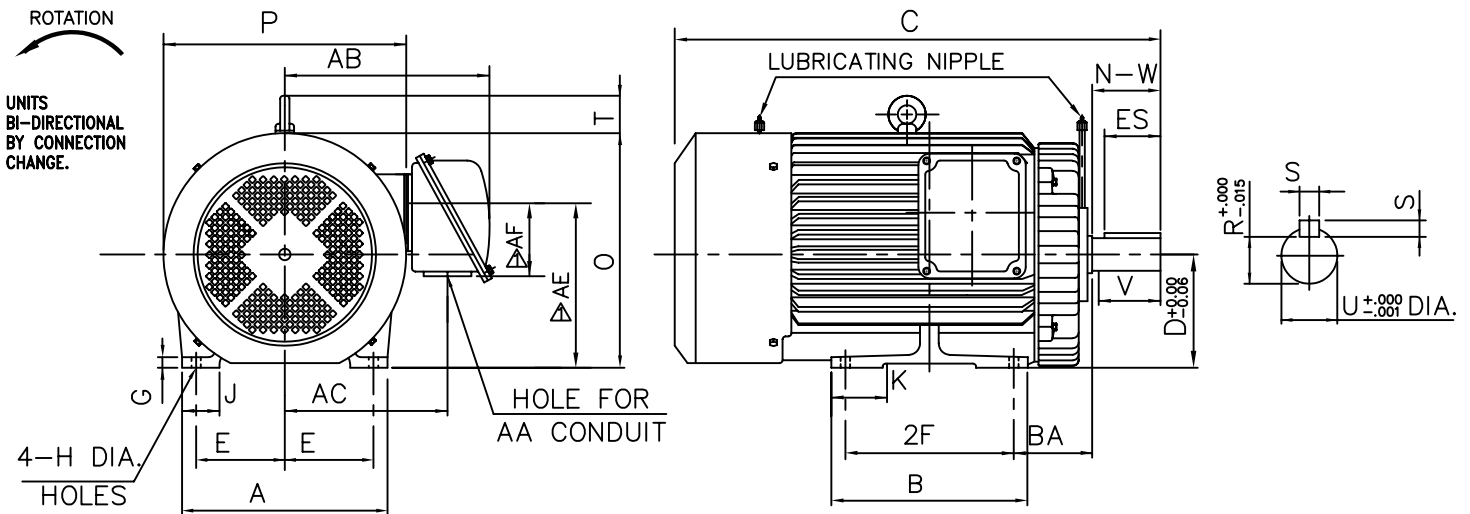


TOSHIBA/HOUSTON

TOTALLY-ENCLOSED FAN-COOLED Fr. 444T/TS-445T/TS  
HORIZONTAL FOOT-MOUNTED



UNITS: INCHES

FRAME SIZE	MOUNTING				CONDUIT BOX						
	E	2F	H	BA	AA	AB	AC	AE	AF	XL	XN
444T/444TS	9.00	14.50	0.81	7.50	NPT3"	22.24	16.85	14.98	9.94	--	--
445T/445TS	9.00	16.50	0.81	7.50	NPT3"	22.24	16.85	14.98	9.94	--	--

FRAME SIZE	MOTOR DIMENSIONS									
	A	B	C	D	G	J	K	O	T	P
444T	22.05	17.32	44.13	11.00	1.34	4.33	4.72	23.00	3.54	25.83
444TS	22.05	17.32	40.38	11.00	1.34	4.33	4.72	23.00	3.54	25.83
445T	22.05	19.29	46.13	11.00	1.34	4.33	4.72	23.00	3.54	25.83
445TS	22.05	19.29	42.38	11.00	1.34	4.33	4.72	23.00	3.54	25.83

FRAME SIZE	SHAFT EXTENSION			KEY SEAT			BEARINGS		MAXIMUM WEIGHT
	N-W	V	U	R	S	ES	LS	OS	
444T	8.50	8.25	3.375	2.880	0.875	6.91	NU220	6315	1772 lbs.
444TS	4.75	4.50	2.375	2.021	0.625	3.03	6313C3	6313C3	1760 lbs.
445T	8.50	8.25	3.375	2.880	0.875	6.91	NU220	6315	2015 lbs.
445TS	4.75	4.50	2.375	2.021	0.625	3.03	6313C3	6313C3	1847 lbs.

NOTES:

- DIMENSION V REPRESENTS LENGTH OF STRAIGHT PART OF SHAFT.
- CONDUIT BOX MAY BE ROTATED IN 90° INCREMENTS AND MAY BE MOUNTED ON OPPOSITE SIDE ON SPECIAL ORDER.
- "T" KEY DIMENSIONS EQUAL S x S x 6.875  
"TS" KEY DIMENSIONS EQUAL S x S x 3.000 (MOTOR SUPPLIED WITH KEY)
- MOTOR WEIGHT SHOWN IS MAXIMUM HORSEPOWER IN FRAME.

ALL DATA SUBJECT TO CHANGE WITHOUT NOTICE.  
FOR CONSTRUCTION USE ONLY CERTIFIED DATA.

CERTIFIED DATA

CUSTOMER: \_\_\_\_\_ P.O. NO.: \_\_\_\_\_ TAG NO.: \_\_\_\_\_

MOTOR MODEL NO.: \_\_\_\_\_ TOSHIBA FILE NO.: \_\_\_\_\_

HP: \_\_\_\_\_ RPM (SYN.): \_\_\_\_\_ VOLTAGE: \_\_\_\_\_ Hz: \_\_\_\_\_

FRAME SIZE: \_\_\_\_\_ LOG NO.: \_\_\_\_\_ LOG REV. LEVEL: \_\_\_\_\_

REMARKS: \_\_\_\_\_

PER: \_\_\_\_\_ ISSUE DATE: \_\_\_\_\_ SUPERSEDES: \_\_\_\_\_