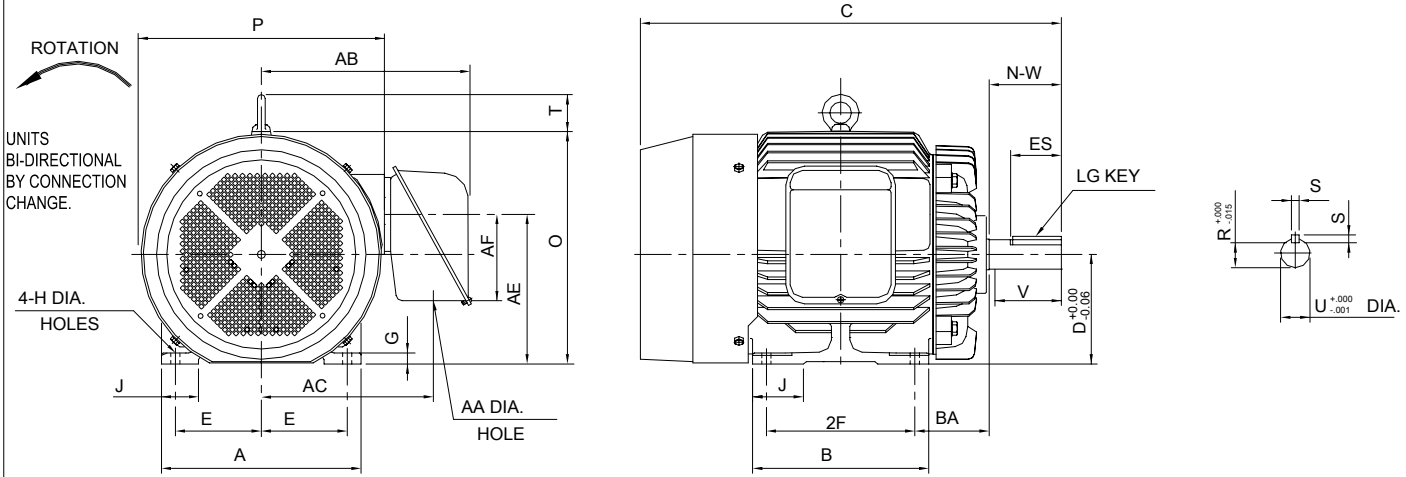


INDEX	SAS000905
REV. LEVEL	3
SHEET	1 OF 1

TOSHIBA/HOUSTON

TOTALLY-ENCLOSED FAN-COOLED
HORIZONTAL FOOT-MOUNTED

Fr. 284T-286T
Fr. 284TS-286TS



UNITS: INCHES

FRAME SIZE	MOUNTING				CONDUIT BOX						
	E	2F	H	BA	AA	AB	AC	AE	AF	XL	XN
284T/TS	5.50	9.50	0.53	4.75	2.48	13.4	11.0	9.56	5.51	—	—
286T/TS	5.50	11.00	0.53	4.75	2.48	13.4	11.0	9.56	5.51	—	—

FRAME SIZE	MOTOR DIMENSIONS									
	A	B	C	D	G	J	M	O	T	P
284T	12.76	11.26	26.9	7.00	0.79	2.36	—	14.87	2.7	15.67
284TS	12.76	11.26	25.53	7.00	0.79	2.36	—	14.87	2.7	15.67
286T	12.76	12.76	28.4	7.00	0.79	2.36	—	14.87	2.7	15.67
286TS	12.76	12.76	27.03	7.00	0.79	2.36	—	14.87	2.7	15.67

FRAME SIZE	SHAFT EXTENSION			KEY SEAT			BEARINGS		MAXIMUM WEIGHT
	N-W	V	U	R	S	ES	LS	OS	
284T/286T	4.62	4.38	1.875	1.591	0.500	3.28	6310ZZ	6210ZZ	427 lbs.
284TS/286TS	3.25	3.00	1.625	1.416	0.375	1.91	6310ZZ	6210ZZ	409 lbs.

NOTES:

- DIMENSION V REPRESENTS LENGTH OF STRAIGHT PART OF SHAFT.
- CONDUIT BOX MAY BE ROTATED IN 90° INCREMENTS AND MAY BE MOUNTED ON OPPOSITE SIDE ON SPECIAL ORDER.
- "T" KEY DIMENSIONS EQUAL S x S x 3.25
"TS" KEY DIMENSIONS EQUAL S x S x 1.88 (MOTOR SUPPLIED WITH KEY)
- MOTOR WEIGHT SHOWN IS MAXIMUM HORSEPOWER IN FRAME.

ALL DATA SUBJECT TO CHANGE WITHOUT NOTICE.
FOR CONSTRUCTION USE ONLY CERTIFIED DATA.

CERTIFIED DATA

CUSTOMER: _____ P.O. NO.: _____ TAG NO.: _____
MOTOR MODEL NO.: _____ TOSHIBA FILE NO.: _____
HP: _____ RPM (SYN.): _____ VOLTAGE: _____ Hz: _____
FRAME SIZE: _____ LOG NO.: _____ LOG REV. LEVEL: _____
REMARKS: _____
PER: _____ ISSUE DATE: _____ SUPERSEDES: _____