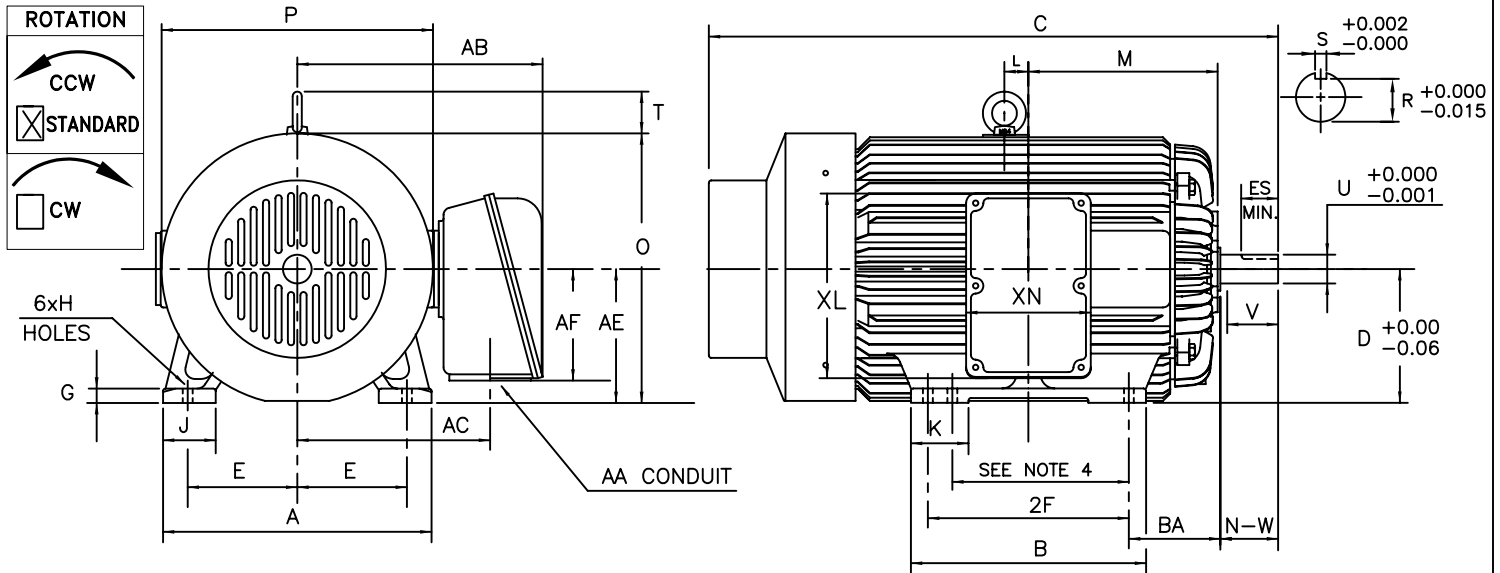


TOSHIBA/HOUSTON
EQP III "XS" & "841"

TOTALLY-ENCLOSED FAN-COOLED
HORIZONTAL FOOT-MOUNTED
PREMIUM EFFICIENCY SEVERE DUTY

2-POLE
DIRECT COUPLE
Fr. 444TS-445TS



UNITS: INCHES

FRAME SIZE	MOUNTING				CONDUIT BOX						
	E	2F	H	BA	AA	AB	AC	AE	AF	XL	XN
444TS	9.00	14.5	0.81	7.50	3.00	20.1	15.8	11.0	9.2	15.2	10.2
445TS	9.00	16.5	0.81	7.50	3.00	20.1	15.8	11.0	9.2	15.2	10.2

FRAME SIZE	MOTOR DIMENSIONS											
	A	B	C	D	G	J	K	L	M	O	P	T
444TS/445TS	22.0	19.3	46.7	11.00	1.2	4.3	4.7	2.0	15.5	22.1	22.4	3.9

FRAME SIZE	SHAFT EXTENSION			KEY SEAT			BEARINGS		MAXIMUM WEIGHT
	N-W	V	U	R	S	ES	LS	OS	
444TS/445TS	4.75	4.50	2.375	2.021	0.625	3.03	6313C3	6313C3	2003 lbs.

NOTES:

- DIMENSION V REPRESENTS LENGTH OF STRAIGHT PART OF SHAFT.
- CONDUIT BOX MAY BE ROTATED IN 90° INCREMENTS AND MAY BE MOUNTED ON OPPOSITE SIDE ON SPECIAL ORDER.
- KEY DIMENSIONS EQUAL S x S x 3.00 (MOTOR SUPPLIED WITH KEY)
- DIMENSIONS FOR 444T MOUNTING EQUAL (2F) LOCATED IN 444T SIDE VIEW
- STANDARD UNITS USE UNI-DIRECTION FAN. OPPOSITE ROTATION AVAILABLE ONLY BY FAN AND CONNECTION CHANGE.
- MOTOR WEIGHT SHOWN IS MAXIMUM HORSEPOWER IN FRAME.

ALL DATA SUBJECT TO CHANGE WITHOUT NOTICE.
FOR CONSTRUCTION USE ONLY CERTIFIED DATA.

CERTIFIED DATA

CUSTOMER: _____ P.O. NO.: _____ TAG NO.: _____

MOTOR MODEL NO.: _____ TOSHIBA FILE NO.: _____

HP: _____ RPM (SYN.): _____ VOLTAGE: _____ Hz: _____

FRAME SIZE: _____ LOG NO.: _____ LOG REV. LEVEL: _____

REMARKS: _____

PER: _____ ISSUE DATE: _____ SUPERSEDES: _____