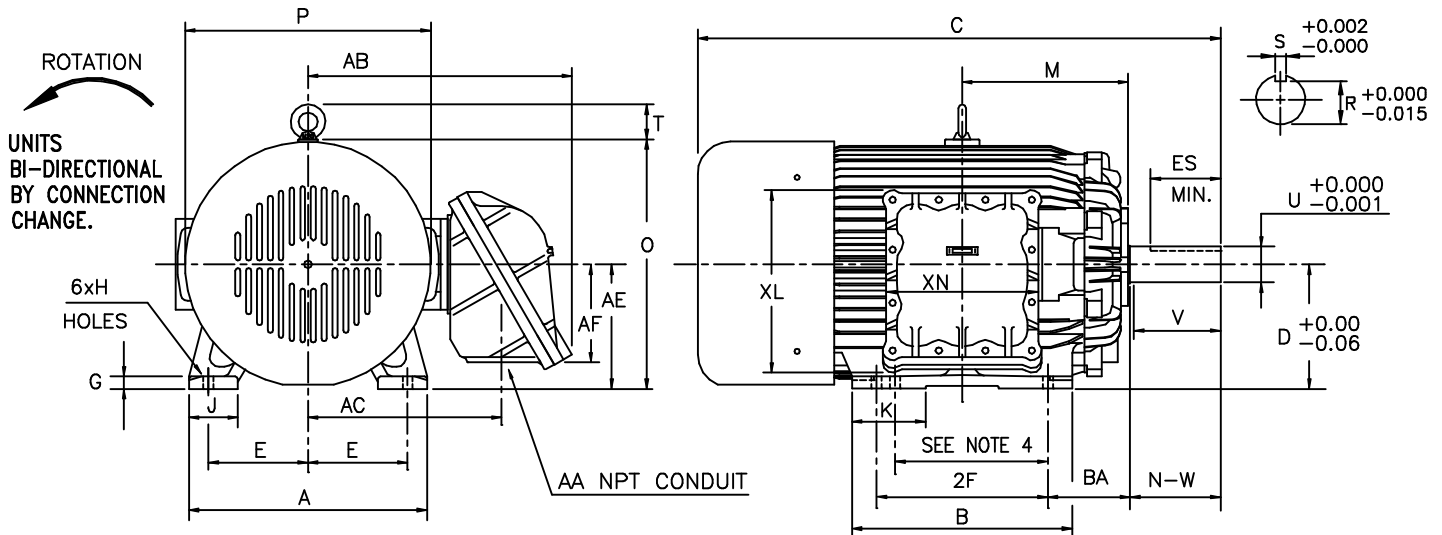


INDEX	MDSL0041-08
REV. LEVEL	4
SHEET	1 OF 1

TOSHIBA/HOUSTON EXPLOSION PROOF
HORIZONTAL FOOT-MOUNTED

HAZARDOUS LOCATION
CLASS I GROUP D
CLASS II GROUP E, F, AND G

Fr. 404T-405T
Fr. 404TS-405TS



UNITS: INCHES

FRAME SIZE	MOUNTING				CONDUIT BOX							
	E	2F	H	BA	AA	AB	AC	AE	AF	XL	XN	
404T/TS	8.00	12.25	0.81	6.62	3.00	21.2	15.6	10.0	7.9	14.7	12.2	
405T/TS	8.00	13.75	0.81	6.62	3.00	21.2	15.6	10.0	7.9	14.7	12.2	

FRAME SIZE	MOTOR DIMENSIONS										
	A	B	C	D	G	J	K	M	O	P	T
404T/405T	19.1	17.7	42.0	10.00	1.0	4.0	5.9	13.3	20.0	19.7	2.8
404TS/405TS	19.1	17.7	39.0	10.00	1.0	4.0	5.9	13.3	20.0	19.7	2.8

FRAME SIZE	SHAFT EXTENSION			KEY SEAT			BEARINGS		MAXIMUM WEIGHT
	N-W	V	U	R	S	ES	LS	OS	
404T/405T	7.25	7.00	2.875	2.450	0.75	5.65	6317C3	6313C3	1495 lbs.
404TS/405TS	4.25	4.00	2.125	1.845	0.50	2.78	6313C3	6313C3	1480 lbs.

NOTES:

- DIMENSION V REPRESENTS LENGTH OF STRAIGHT PART OF SHAFT
- CONDUIT BOX MAY BE ROTATED IN 90° INCREMENTS AND MAY BE MOUNTED ON OPPOSITE SIDE ON SPECIAL ORDERS
- "T" KEY DIMENSIONS EQUAL S x S x 5.62
"TS" KEY DIMENSIONS EQUAL S x S x 2.75
(MOTOR SUPPLIED WITH KEY)
- DIMENSIONS FOR 404T MOUNTING EQUAL (2F) LOCATED IN 404T SIDE VIEW.
- MOTOR WEIGHT SHOWN IS MAXIMUM HORSEPOWER IN FRAME.

ALL DATA SUBJECT TO CHANGE WITHOUT NOTICE.
FOR CONSTRUCTION USE ONLY CERTIFIED DATA.

CERTIFIED DATA

CUSTOMER: _____ P.O. NO.: _____ TAG NO.: _____

MOTOR MODEL NO.: _____ TOSHIBA FILE NO.: _____

HP: _____ RPM (SYN.): _____ VOLTAGE: _____ Hz: _____

FRAME SIZE: _____ LOG NO.: _____ LOG REV. LEVEL: _____

REMARKS: _____

PER: _____ ISSUE DATE: _____ SUPERSEDES: _____