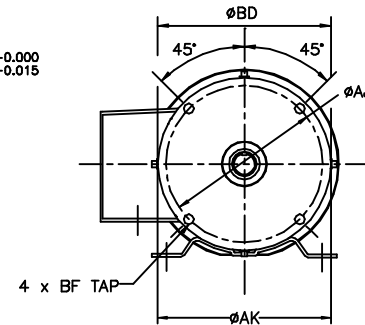
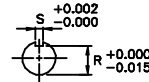
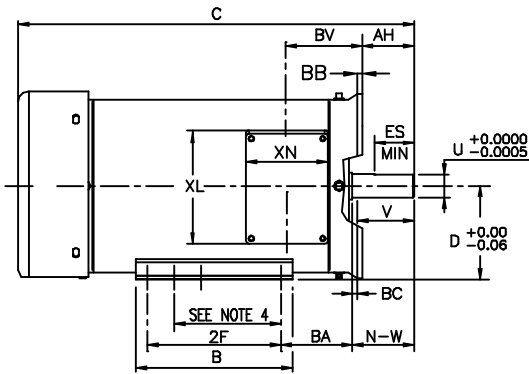
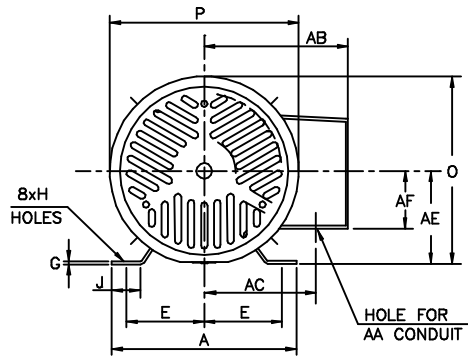


INDEX	MDSL0061-04
REV. LEVEL	2
SHEET	1 OF 1

ROTATION
UNITS
BI-DIRECTIONAL
BY CONNECTION
CHANGE.



UNITS: INCHES

FRAME SIZE	MOUNTING				FLANGE							
	E	2F	H	BA	AH	AJ	AK	BB	BC	BD	BF TAP	BV
182TCZ	3.75	4.50	0.44	3.50	2.62	7.250	8.50	0.275	0.12	8.50	1/2"-13UNC	2.24
184TCZ	3.75	5.50	0.44	3.50	2.62	7.250	8.50	0.275	0.12	8.50	1/2"-13UNC	2.24

FRAME SIZE	MOTOR DIMENSIONS								CONDUIT BOX						
	A	B	C	D	G	J	O	P	AA	AB	AC	AE	AF	XL	XN
182TCZ/184TCZ	8.66	6.61	16.9	4.5	0.12	1.02	8.75	8.50	0.75	6.39	5.32	4.5	2.56	5.12	3.54

FRAME SIZE	SHAFT EXTENSION			KEY SEAT			BEARINGS		MAXIMUM WEIGHT
	N-W	V	U	R	S	ES	LS	OS	
184TCZ/184TCZ	2.75	2.5	1.125	0.986	0.25	1.8	6207UUC3	6205UUC3	115 lbs.

NOTES:

1. DIMENSION V REPRESENTS LENGTH OF STRAIGHT PART OF SHAFT.
2. CONDUIT BOX MAY BE ROTATED IN 180° INCREMENTS.
3. KEY DIMENSIONS EQUAL S x S x 1.38 (MOTOR SUPPLIED WITH KEY)
4. DIMENSIONS FOR 182T MOUNTING EQUAL (2F) LOCATED IN 182T SIDE VIEW.
5. MOTOR WEIGHT SHOWN IS MAXIMUM HORSEPOWER IN FRAME.

ALL DATA SUBJECT TO CHANGE WITHOUT NOTICE FOR CONSTRUCTION USE ONLY CERTIFIED DATA

CERTIFIED DATA

CUSTOMER: _____ P.O. NO.: _____ TAG NO.: _____
 MOTOR MODEL NO.: _____ TOSHIBA FILE NO.: _____
 HP: _____ RPM (SYN.): _____ VOLTAGE: _____ Hz: _____
 FRAME SIZE: _____ LOG NO.: _____ LOG REV. LEVEL: _____
 REMARKS: _____
 PER: _____ ISSUE DATE: _____ SUPERSEDES: _____

TOSHIBA/HOUSTON

**TOTALLY-ENCLOSED
FAN-COOLED
FOOT-MOUNTED
WITH C-FACE FLANGE
182TC - 184TC
TOSHWASH S.S.**