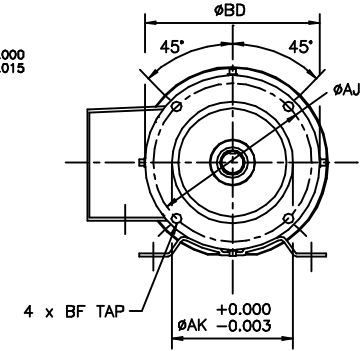
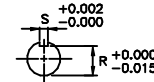
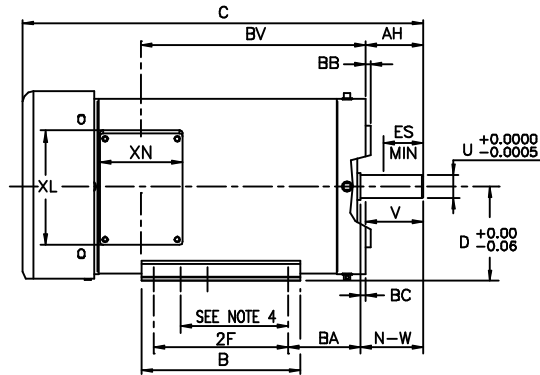
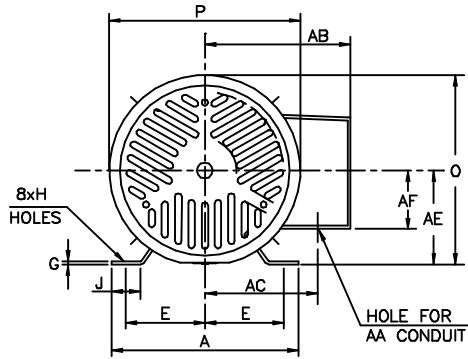


INDEX	MDSL0061-03
REV. LEVEL	0
SHEET	1 OF 1

ROTATION  
UNITS  
BI-DIRECTIONAL  
BY CONNECTION  
CHANGE.



UNITS: INCHES

FRAME SIZE	MOUNTING				FLANGE							
	E	2F	H	BA	AH	AJ	AK	BB	BC	BD	BF TAP	BV
143TCZ	2.75	4.00	0.34	2.75	2.12	5.875	4.500	0.177	0.12	6.48	3/8"-16UNC	8.33
145TCZ	2.75	5.00	0.34	2.75	2.12	5.875	4.500	0.177	0.12	6.48	3/8"-16UNC	8.33

FRAME SIZE	MOTOR DIMENSIONS								CONDUIT BOX						
	A	B	C	D	G	J	O	P	AA	AB	AC	AE	AF	XL	XN
143TCZ/145TCZ	6.93	5.87	14.9	3.50	0.12	1.58	7.05	7.1	0.75	5.38	4.6	3.5	2.17	4.14	3.07

FRAME SIZE	SHAFT EXTENSION			KEY SEAT			BEARINGS		MAXIMUM WEIGHT
	N-W	V	U	R	S	ES	LS	OS	
143TCZ/145TCZ	2.25	2.00	0.875	0.771	0.188	1.41	6205UUC3	6205UUC3	61 lbs.

NOTES:

1. DIMENSION V REPRESENTS LENGTH OF STRAIGHT PART OF SHAFT.
2. CONDUIT BOX MAY BE ROTATED IN 180° INCREMENTS.
3. KEY DIMENSIONS EQUAL S x S x 1.38 (MOTOR SUPPLIED WITH KEY)
4. DIMENSIONS FOR 143T MOUNTING EQUAL (2F) LOCATED IN 143T SIDE VIEW.
5. MOTOR WEIGHT SHOWN IS MAXIMUM HORSEPOWER IN FRAME.

ALL DATA SUBJECT TO CHANGE WITHOUT NOTICE FOR CONSTRUCTION USE ONLY CERTIFIED DATA

CERTIFIED DATA

CUSTOMER: \_\_\_\_\_ P.O. NO.: \_\_\_\_\_ TAG NO.: \_\_\_\_\_  
 MOTOR MODEL NO.: \_\_\_\_\_ TOSHIBA FILE NO.: \_\_\_\_\_  
 HP: \_\_\_\_\_ RPM (SYN.): \_\_\_\_\_ VOLTAGE: \_\_\_\_\_ Hz: \_\_\_\_\_  
 FRAME SIZE: \_\_\_\_\_ LOG NO.: \_\_\_\_\_ LOG REV. LEVEL: \_\_\_\_\_  
 REMARKS: \_\_\_\_\_  
 PER: \_\_\_\_\_ ISSUE DATE: \_\_\_\_\_ SUPERSEDES: \_\_\_\_\_

*TOSHIBA/HOUSTON*

**TOTALLY-ENCLOSED  
FAN-COOLED  
FOOT-MOUNTED  
WITH C-FACE FLANGE  
143TC - 145TC  
TOSHWASH S.S.**