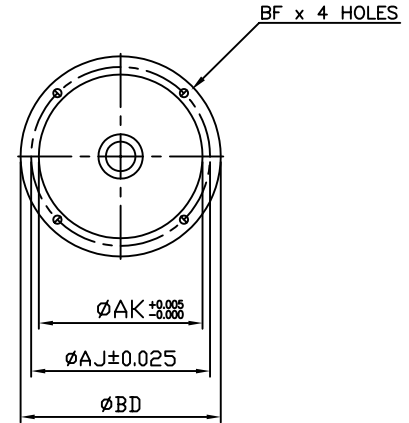
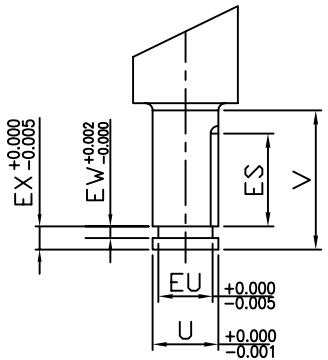
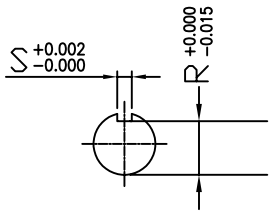
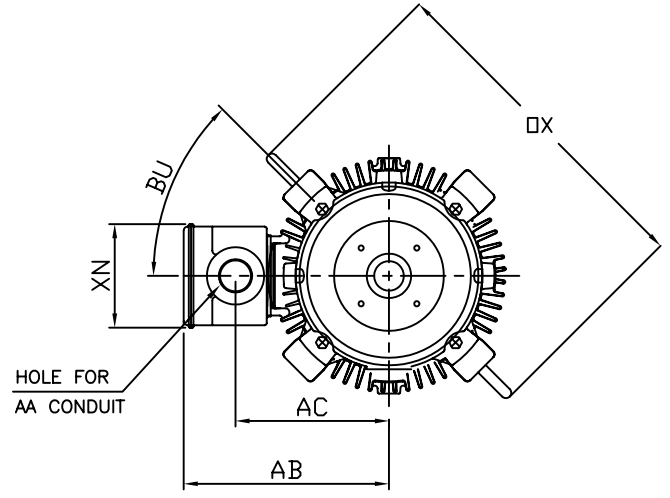
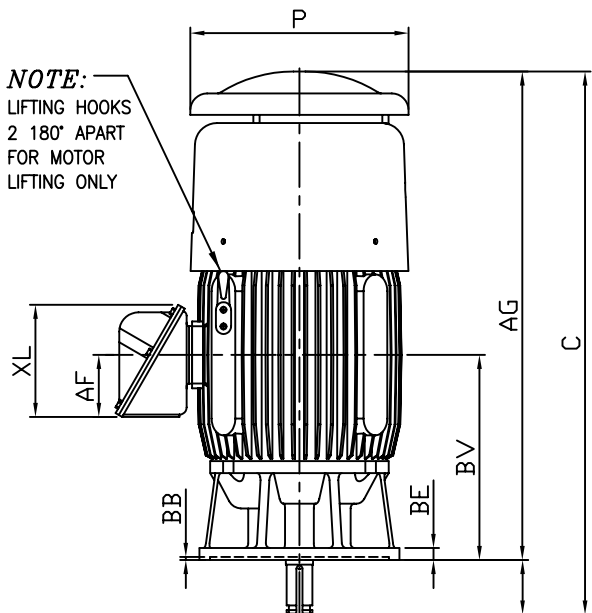


NOTE:
LIFTING HOOKS
2 180° APART
FOR MOTOR
LIFTING ONLY



ALL DATA SUBJECT TO CHANGE WITHOUT NOTICE

UNITS: INCHES

FRAME SIZE	P-FLANGE DIMENSIONS							SHAFT DIMENSIONS								MOTOR DIMENSIONS						
	BB	BE	BF	BD	BV	AK	AJ	AH	EU	U	V	R	S	ES	EW	EX	AG	C	P	OX	BU	
360HP16	0.25	1.00	0.69	16.5	16.63	13.5	14.75	4.50	1.25	1.625	4.50	1.416	0.375	3.03	0.75	0.375	40.22	44.72	18.00	25.0	45'	
360HPH16	0.25	1.00	0.69	16.5	16.63	13.5	14.75	4.50	1.75	2.125	4.50	1.845	0.500	3.03	0.75	0.375	40.22	44.72	18.00	25.0	45'	
360LP16	0.25	1.00	0.69	16.5	16.63	13.5	14.75	4.50	1.75	2.125	4.50	1.845	0.500	3.03	0.75	0.375	40.22	44.72	18.00	25.0	45'	

CONDUIT BOX					
AA	AB	AC	AF	XL	XN
3.0NPT	15.13	11.88	5.12	10.1	7.88

FRAME	BEARINGS		MAXIMUM WEIGHT
	LS	OS	
HP	6312	6312 X 2	945 LBS
LP	6312	7312 X 2	

CUSTOMER: _____ P.O. NO.: _____ TAG NO.: _____
 MOTOR MODEL NO.: _____ TOSHIBA FILE NO.: _____
 HP: _____ RPM (SYN.): _____ VOLTAGE: _____ Hz: _____
 FRAME SIZE: _____ LOG NO.: _____ LOG REV. LEVEL: _____
 REMARKS: _____

 PER: _____ ISSUE DATE: _____ SUPERSEDES: _____

INDEX	MDSL0151-06
REV. LEVEL	0
SHEET	1 OF 1

TOSHIBA/HOUSTON

VERTICAL SOLID SHAFT
TOTALLY-ENCLOSED FAN COOLED
ROUNDBODY P-FLANGE
FR.360HP/LP