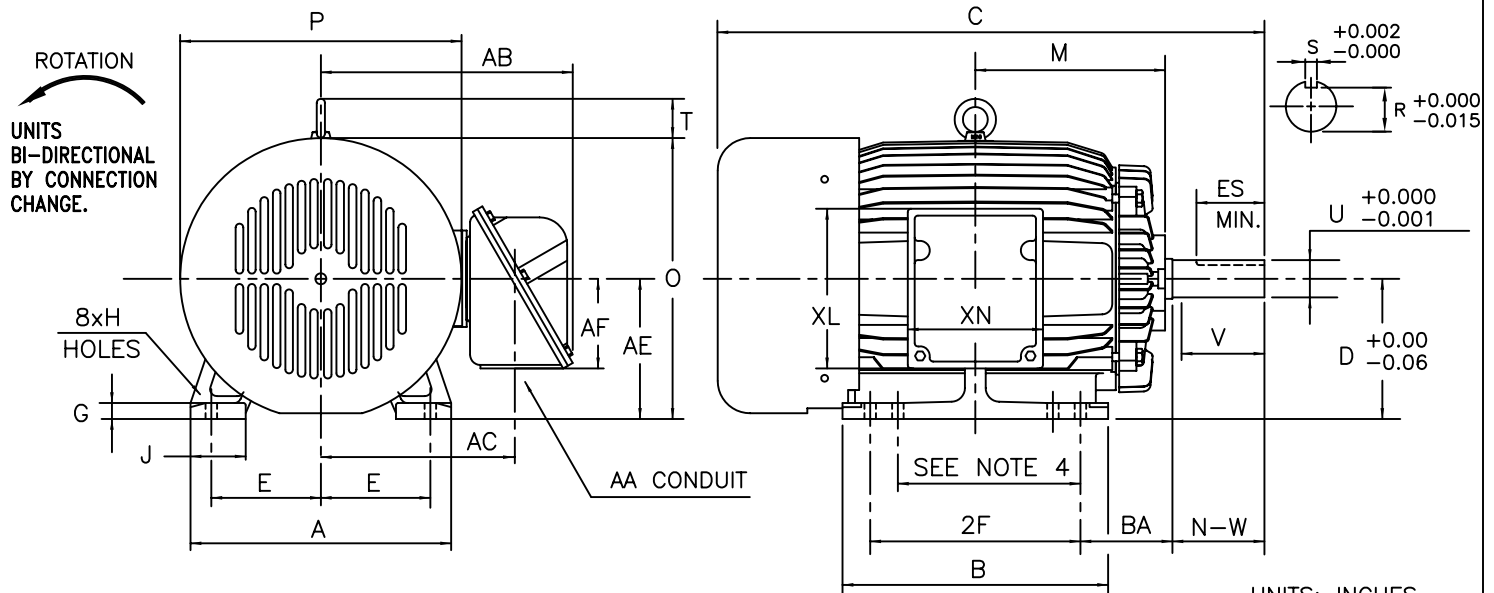


TOSHIBA/HOUSTON
EQP III "XS" & "841"

TOTALLY-ENCLOSED FAN-COOLED
HORIZONTAL FOOT-MOUNTED
PREMIUM EFFICIENCY SEVERE DUTY

Fr. 324T-326T
Fr. 324TS-326TS



FRAME SIZE	MOUNTING				CONDUIT BOX						
	E	2F	H	BA	AA	AB	AC	AE	AF	XL	XN
324T/TS	6.25	10.50	0.66	5.25	2.00	14.4	11.1	8.0	5.1	9.1	7.7
326T/TS	6.25	12.00	0.66	5.25	2.00	14.4	11.1	8.0	5.1	9.1	7.7

FRAME SIZE	MOTOR DIMENSIONS									
	A	B	C	D	G	J	M	O	P	T
324T/326T	14.9	15.2	31.2	8.00	0.9	3.2	11.1	16.0	16.1	2.4
324TS/326TS	14.9	15.2	29.7	8.00	0.9	3.2	11.1	16.0	16.1	2.4

FRAME SIZE	SHAFT EXTENSION			KEY SEAT			BEARINGS		MAXIMUM WEIGHT
	N-W	V	U	R	S	ES	LS	OS	
324T/326T	5.25	5.00	2.125	1.845	0.500	3.91	6312C3	6312C3	650 lbs.
324TS/326TS	3.75	3.50	1.875	1.591	0.500	2.03	6312C3	6312C3	650 lbs.

NOTES:

1. DIMENSION V REPRESENTS LENGTH OF STRAIGHT PART OF SHAFT.
2. CONDUIT BOX MAY BE ROTATED IN 90° INCREMENTS AND MAY BE MOUNTED ON OPPOSITE SIDE ON SPECIAL ORDER.
3. "T" KEY DIMENSIONS EQUAL S x S x 3.88
"TS" KEY DIMENSIONS EQUAL S x S x 2.00 (MOTOR SUPPLIED WITH KEY)
4. DIMENSIONS FOR 324T MOUNTING EQUAL (2F) LOCATED IN 324T SIDE VIEW.
5. MOTOR WEIGHT SHOWN IS MAXIMUM HORSEPOWER IN FRAME.

ALL DATA SUBJECT TO CHANGE WITHOUT NOTICE.
FOR CONSTRUCTION USE ONLY CERTIFIED DATA.

CERTIFIED DATA

CUSTOMER: _____ P.O. NO.: _____ TAG NO.: _____

MOTOR MODEL NO.: _____ TOSHIBA FILE NO.: _____

HP: _____ RPM (SYN.): _____ VOLTAGE: _____ Hz: _____

FRAME SIZE: _____ LOG NO.: _____ LOG REV. LEVEL: _____

REMARKS: _____

PER: _____ ISSUE DATE: _____ SUPERSEDES: _____